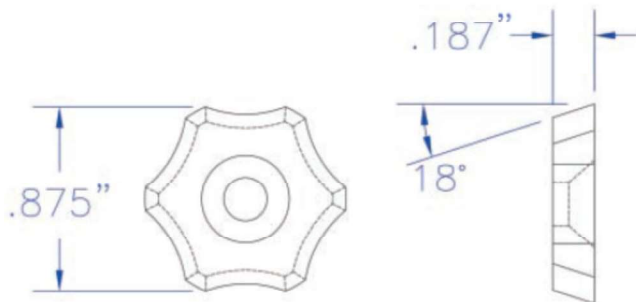


TiN Coated Insert for Heavy Duty Scarfing Applications


AMT P/N	DESCRIPTION	TUBE DIAMETER	RADIUS inch
AMT-1373	G-1842 7R-3	UP TO 5/8"	0.400
AMT-1375	G-1842 7R-5	5/8" - 7/8"	0.533
AMT-1377	G-1842 7R-7	7/8" - 1 1/4"	0.658
AMT-1378	G-1842 7R-8	1 1/4" - 1 5/8"	0.858
AMT-1379	G-1842 7R-9	1 5/8" - 2"	1.183
AMT-1380	G-1842 7R-10	2" - 2 7/8"	1.531
AMT-1381	G-1842 7R-11	2 7/8" - 3 5/8"	1.875
AMT-1382	G-1842 7R-12	3 5/8" - 4 5/8"	2.375

* Otros Diámetros También Disponibles a Pedido